

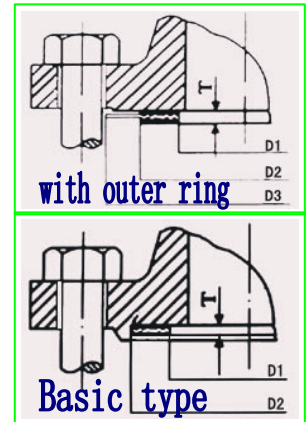
Corrugated Metal Gasket
CAZ- CM630

Industrial Gasket

CONSTRUCTION:

CAZ 630 Corrugated Metal Gasket consists of a metal core with concentric grooves on both sides, coated with expanded graphite or PTFE layer. The thickness of metal can be thinner, e.g. 3mm, 2mm, 1mm, 0.5mm, compared with 620 Kammprofile gasket, and the corrugation pitch is 3mm, 4mm or 6mm depending on the width of the sealing face.

CAZ 630 can be classified into flat, serrated and corrugated type. The gasket constructions with small than OD 1000mm is usually made in on piece. Welding is also recommended for cost –effective.



APPLICATION:

CAZ 630CM have been proven to be both reliable and cost-effective for flange and heat exchange application, especially used in low-pressure applications in large diameter flue gas ducts at high temperature, also suitable for uneven or distorted sealing surfaces. It eliminates the problem of difficult handling with large non-metal gaskets used in those applications.

ADVANTAGES:



- ◆ Outstanding mechanical strength and thermal conductivity
- ◆ Capable of withstanding high temperature
- ◆ There are almost no limitations regarding size
- ◆ Choice of insert metals easier
- ◆ Trouble-free for handling and installation even for large size

MATERIAL:

Metal material	Din Material No.	Hardness HB	Temp. °C	Density g/cm ³	Thick. mm
CS/Soft Iron	1.1003/1.0038	90~120	-60~500	7.85	0.5mm; 1mm
SS304, SS304L	1.4301/1.4306	130~180	-250~550	7.9	2mm; 3mm
SS316, SS316L	1.4401/1.4404	130~180	-250~550	7.9	4mm

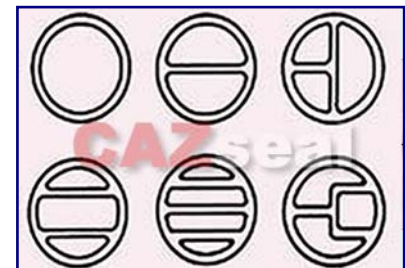
Other special metal is also available on request.

Materials for the insert:

Flexible Graphite, PTFE, Non-asb, etc
 Normal with thickness 0.5mm, 1mm, 1.5mm

ORDER EXAMPLE:

CAZ 630 CM
 900×940×4.5mm (ID×OD×Thick) with 1 rib (width 20mm)
 Material: SS316+Graphite
 Thickness of metal: 3mm



For Heat Exchanger